

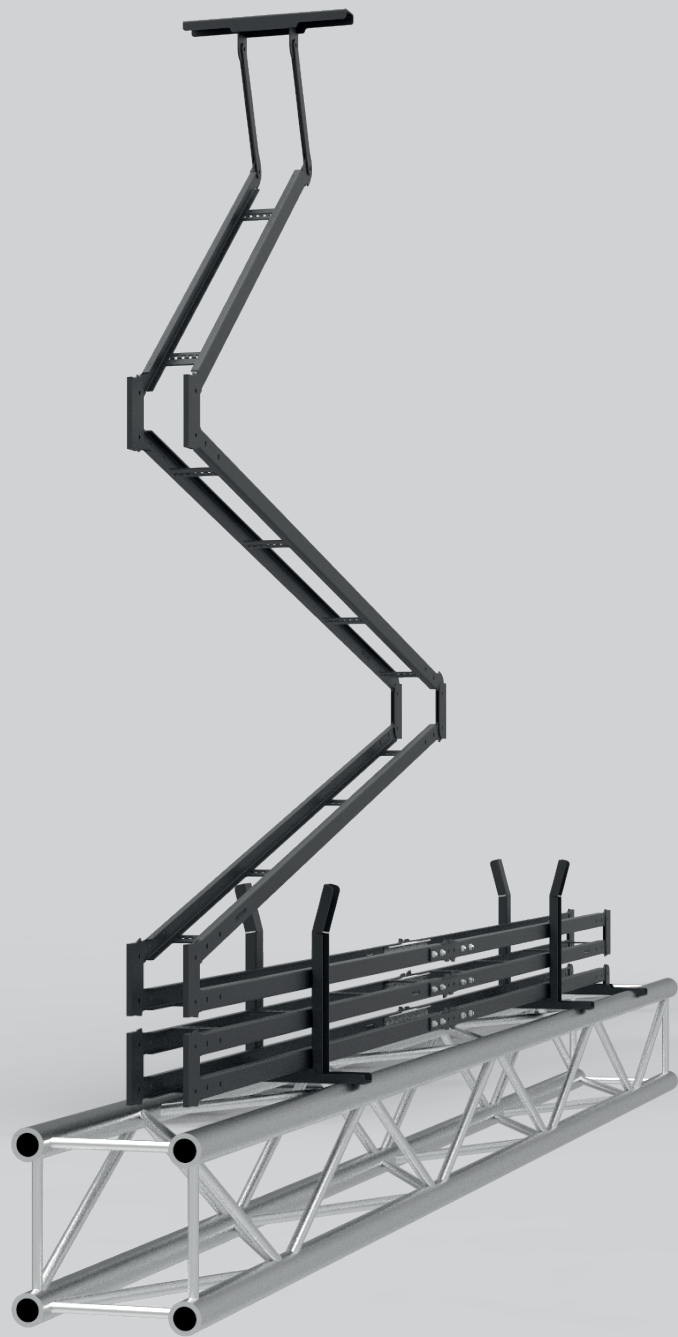


ADMIRAL
STAGING

Sturdy solution
for routing cables

BASIC CABLE GUIDE

Our Basic cable guide is a sturdy and reliable cable management solution for a clean-looking, solid suspension system. With a width of 110 mm the Basic Cable guide is perfect in installations where many cables need to be routed through. The bends make it possible to route cables including their connectors.



KEY FEATURES

Durable

The solid, sturdy design and the 2mm steel length profiles ensure long-term usage.

Wide gutters

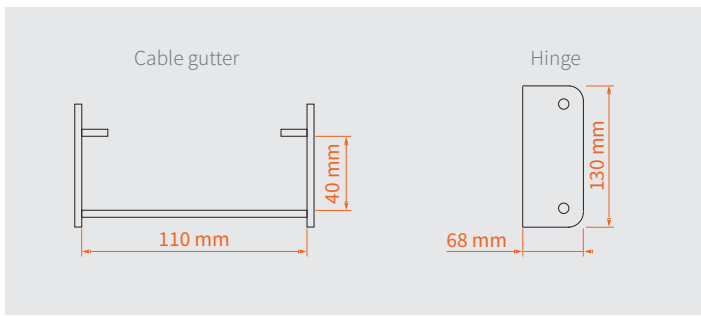
The Basic cable guide has a wide gutter capable of accommodating many cables.

Heavy-duty hinges

The hinge points are fitted with ball bearings in order to limit wear to a minimum and provide a lifetime of use.

www.admiralstaging.com

DIMENSIONS



TECHNICAL DATA

Basic cable guide

Article code: RIKGC...

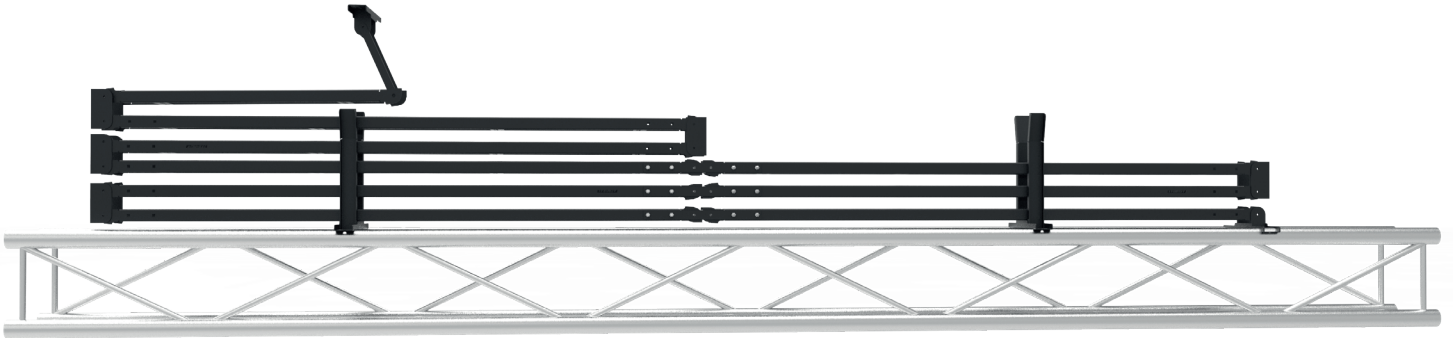
Material: powder coated steel

Dimensions: 2m Base height 3, 5, 7 and 9 m

3m Base height 4, 5, 6, 7, 8, 9, 10, 11, 12 and 14 m

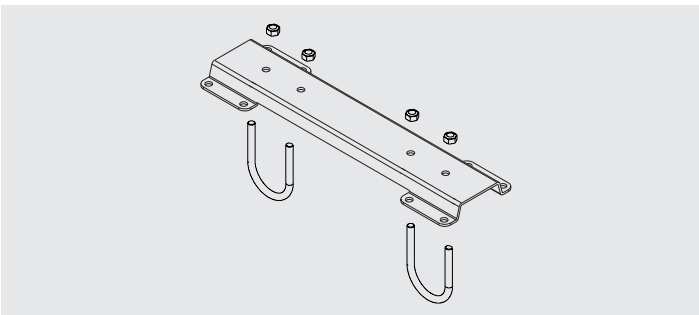
4m Base height 14, 15, 16, 17 and 20 m

INCLUDED



The Basic cable guides safety brackets provide support when the cable guide is folded and are used to install the cable guide to 30 truss.

BASIC CABLE GUIDE ADAPTER FOR 40 TRUSS



Basic cable guide adapter for 30 > 40-er truss

Article code: RIKGV3040

Material: powder coated steel

Colour: black

This adapter bracket can be used to mount the cable guide to a 40cm truss. The adapter is a length bar which will add length to the existing safety bracket.



ADMIRAL
STAGING

| www.admiralstaging.com | Josink Kolkweg 10 | 7545 PR Enschede | The Netherlands | Tel: +31 53 4 301 201 |

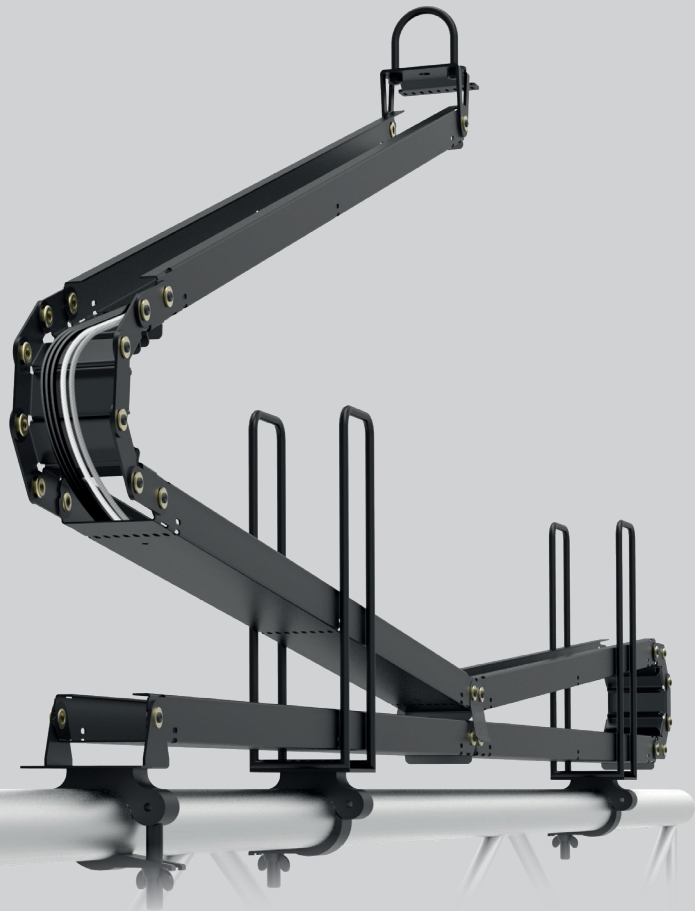


ADMIRAL
STAGING

“An innovation in
cable management”

SNAKE[®] CABLE GUIDE

A versatile cable management solution designed to prevent technical hiccups from happening while guiding cables. The Snake cable guide can be mounted onto single tubes, square - or triangle truss 30 and 40. Different height variations are available in both a silver and black version.



KEY FEATURES

Unique hinges

The pivoting hinges of the Snake assure the cables are gently bent around a minimum diameter, making it especially well-suited for less resilient cables such as fibre optic cables.

Minimal horizontal movement

Thanks to the interlocking mechanism of the hinges, lateral movement while hoisting the truss up and down is minimized.

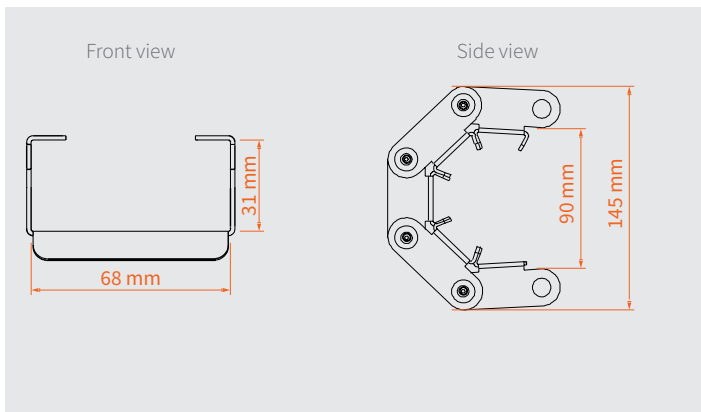
Designed for intense use

With its brass bearings, the Snake cable guide is well built for many years of high performance use.

© Design registered in the EU and UK

www.admiralstaging.com

DIMENSIONS



TECHNICAL DATA

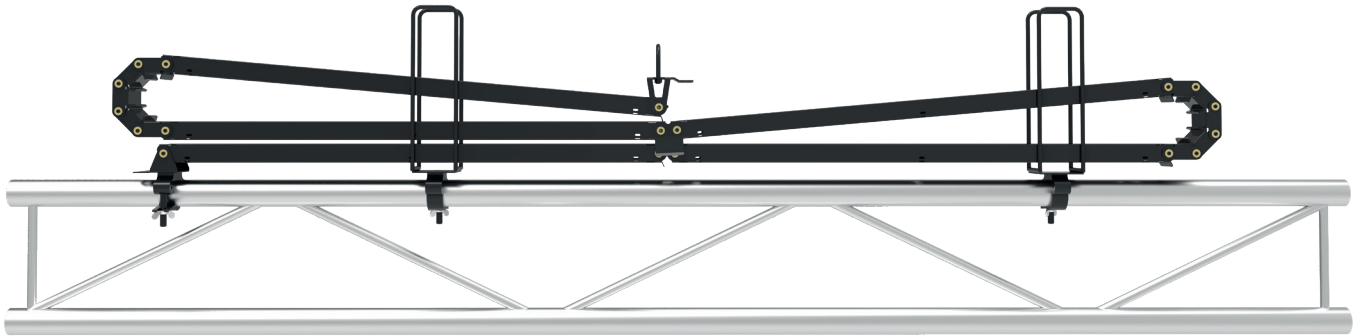
Snake cable guide

Article code: RIKGSN...

Material: silver parts: galvanized steel
black parts: powder coated steel
bearings: brass

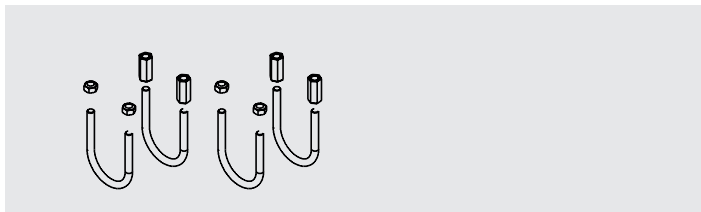
Dimensions: 2m Base height 3, 5 and 7 m
3m Base height 5, 6, 7, 8, 9, 10, 11 and 12 m
4m Base height 12, 13, 14, 15 and 16 m

ASSEMBLY ON SINGLE TUBE OR TRUSS



An assembly set to mount the Snake cable guide on a single tube is included. To mount the Snake onto 30 or 40 truss there are two types of Extension sets available, both in black and silver.

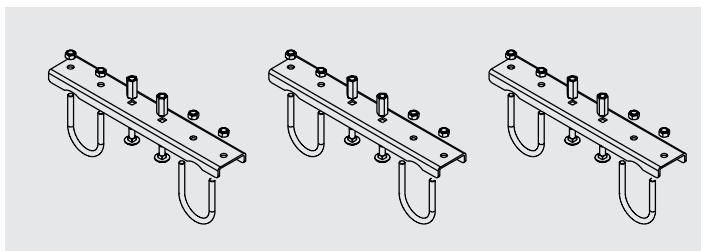
INCLUDED



Assembly set for single tube 50mm

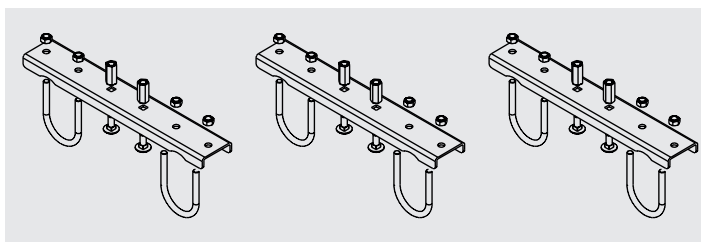
Article code:	RIKGSN120B	RIKGSN120
EAN:	8720094421834	8720094421827
Material:	powder coated steel	galvanized steel
Colour:	black	silver

EXTENSION SETS FOR TRUSS



Snake extension set for 30 truss

Article code:	RIKGSN121B	RIKGSN121
EAN:	8720094421858	8720094421841
Material:	powder coated steel	galvanized steel
Bolt size:	M8	M8
Colour:	black	silver



Snake extension set for 40 truss

Article code:	RIKGSN122B	RIKGSN122
EAN:	8720094427522	8720094427515
Material:	powder coated steel	galvanized steel
Bolt size:	M8	M8
Colour:	black	silver



ADMIRAL
STAGING

| www.admiralstaging.com | Josink Kolkweg 10 | 7545 PR Enschede | The Netherlands | Tel: +31 53 4 301 201 |