



ADMIRAL
STAGING

The solution for
cable storage and
transport

CABLE CART

Keep your cables organized, accessible and visible, and transport them easily, with our clever Cable cart. Part of our modular system, this cart allows multiple configurations in terms of height and length. Sturdy cable forks are placed over support profiles to create hanging space for your cables.



KEY FEATURES

Design your own cart

Part of our modular system, you can build a Cable cart step by step with your desired configuration.

Preserve cables lifespan

The wider forks provide a bigger bending radius and stop cables from getting tangled, thus preventing damage to your equipment.

Adjustable and versatile

Depending on the type of equipment required for each event, you can easily adjust the design of the cart by adding or removing tubes and forks.

www.admiralstaging.com

TECHNICAL DATA

STEP 1:

Choose side panel



STEP 2:

Choose length profiles



Slim-line panel set with center bracket

Heights available	110 cm	203 cm
Article code:	WAFSS11B	WAFSS21B
Material:	powder coated steel	
* boltset included		

Length profiles set of 4

Lengths available	80 cm	160 cm	210 cm
Article code:	WALPSL080	WALPSL160	WALPSL210
Dimensions mm:	773 x 20 x 40	1588 x 20 x 40	2073 x 20 x 40
Material:	powder coated steel		

STEP 3:

Choose castors



STEP 4:

Choose support profiles



Castors set of 4

Sets available	2 x Swivel with brake 2 x Swivel no brake	4 x Swivel with brake
Article code:	WACS100B	WACS100A
WLL:	160 kg	160 kg
Diameter:	100 mm	100 mm
Sets available	2 x Swivel with brake 2 x Swivel no brake	4 x Swivel with brake
Article code:	WACS125B	WACS125A
WLL:	220 kg	220 kg
Diameter:	125 mm	125 mm

Cable support profiles including forkset

Lengths available	80 cm	160 cm	210 cm
Article code:	WAM2N080	WAM2N160	WAM2N210
Material tube:	aluminium		
Material fork:	powder coated steel		
Dimensions in mm:	695 x 50 x 50	1497 x 50 x 50	1997 x 50 x 50
* 2 x Meatrack forkset 50 mm with bolts included			

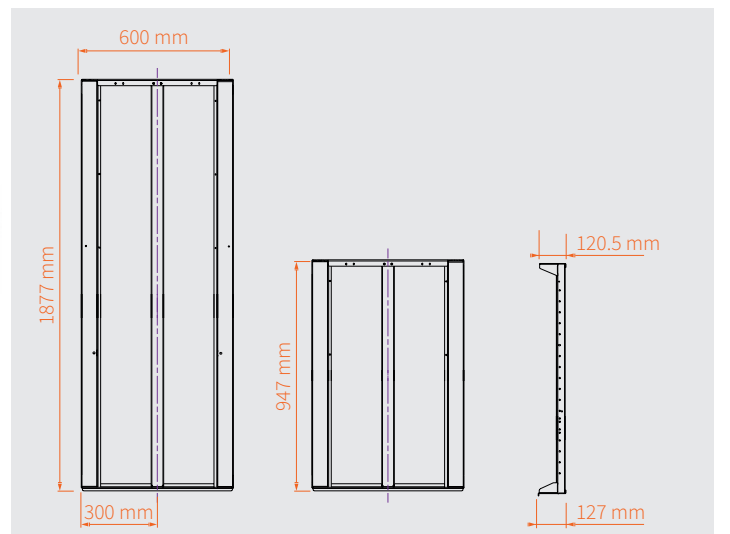
STEP 5:

Choose number of cable forks



Cable fork including screwset

Article code:	WAN2N550
Material:	powder coated steel
Dimensions:	550 x 75 x 110 mm





ADMIRAL
STAGING

BASEPLATE DOLLY 2.0

Our updated Baseplate dolly 2.0 is equipped with PE holders, protecting your baseplates from getting scratched when loading them on and off the dolly. Sturdy 160 mm castors ensure a smooth ride over bumps and uneven surfaces.



KEY FEATURES

Design your own dolly

Build the perfect dolly by choosing the best suited frame, holders and castors for the type of baseplates you would like to transport.

Ergonomic design

The baseplate holders are equipped with a guide profile which allows you to comfortably place the plates onto the dolly, only moving into a vertical position at the last moment.

Can accommodate a flight case cover

The frame of the dolly has four cutouts which can be used to secure an optional flight case cover.

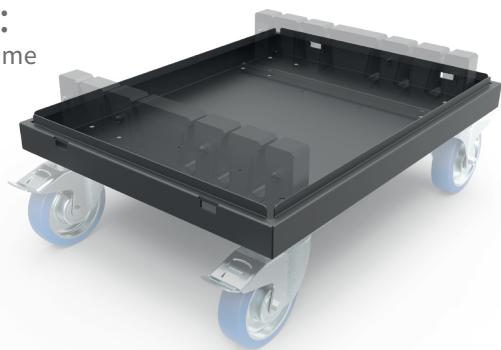
© Design registered in the EU

www.admiralstaging.com

TECHNICAL DATA

STEP 1:

Choose a frame

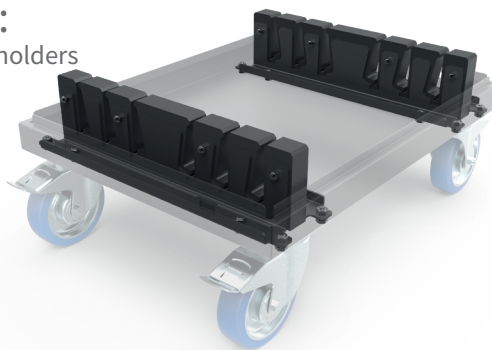


Frames lengths

For baseplate sizes	73 cm	80 cm	100 cm
Article code:	WAVLB073SB	WAVLB080SB	WAVLB100SB
Dimensions cm:	77 x 59 x 73	84 x 59 x 73	104 x 59 x 73
Material:	powder coated steel		
Colour:	black	black	black
Weight:	10.7 kg	11.4 kg	13.6 kg

STEP 2:

Choose the holders

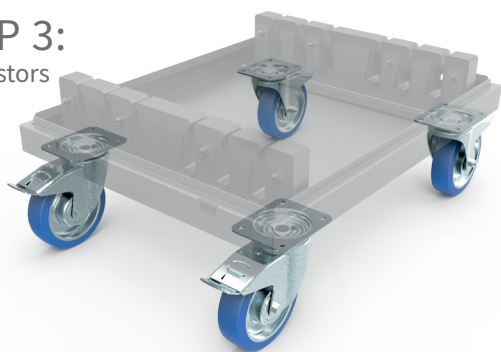


Holders

Types available:	6 mm	8 mm	10 mm
Article code:	WAVLSP06	WAVLSP08	WAVLSP10
Amount of plates:	6 x 6 mm	6 x 8 mm	4 x 10 mm
Material:	polyethylene	polyethylene	polyethylene
Colour:	black	black	black
Weight:	5.6 kg	5.6 kg	5.6 kg

STEP 3:

Add castors



Castors set of 4

Sets available	4 x Swivel with brake
Article code:	WACS160A
WLL:	300 kg
Diameter:	160 mm





ADMIRAL
STAGING

MEAT- RACK

Store and transport your moving heads, lighting bars and single luminaires with our Meatrack cart. Depending on the amount and size of your fixtures, you can build your ideal Meatrack in your desired height and length. Choose hanging tubes, in aluminum or steel, to create the desired storage space for your fixtures.



KEY FEATURES

Design your own cart

Build your perfect Meatrack step-by-step by choosing the most suitable height, length and amount of hanging tubes.

Efficient design

Pre-drilled holes in the side panels allow you to place the hanging tubes at any height and thus, maximize the use of space.

Flexible setup

Adjust the height, amount and position of the hanging tubes based on the type and number of fixtures you need for a specific job.

www.admiralstaging.com

TECHNICAL DATA

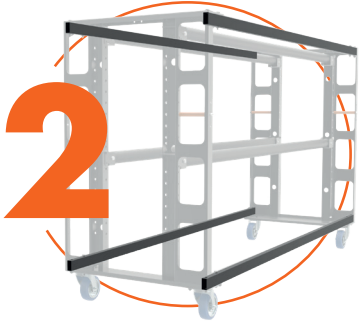


1 CHOOSE SIDE PANELS

Fork-side panel set of 2

Heights available:	110 cm	110 cm	203 cm	203 cm
Article code:	WAFSF11A	WAFSF11B	WAFSF21A	WAFSF21B
With centre bracket:	no	yes	no	yes
Material:	powder coated steel			

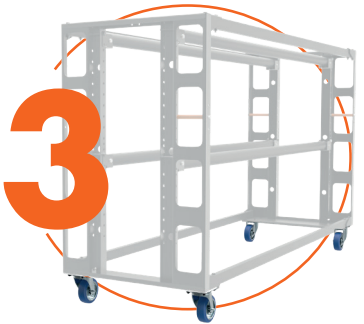
* boltset included



2 CHOOSE LENGTH PROFILES

Length profiles set of 4

Lengths available:	80 cm	160 cm	180 cm	210 cm
Article code:	WALPSL080	WALPSL160	WALPSL180	WALPSL210
Dimensions mm:	773 x 20 x 40	1588 x 20 x 40	1773 x 20 x 40	2073 x 20 x 40
Material:	powder coated steel			



3 CHOOSE CASTORS

Castors set of 4

Sets available:	2 x Swivel with brake 2 x Swivel no brake	4 x Swivel with brake
Article code:	WACS100B	WACS100A
WLL:	160 kg	160 kg
Diameter:	100 mm	100 mm
Sets available:	2 x Swivel with brake 2 x Swivel no brake	4 x Swivel with brake
Article code:	WACS125B	WACS125A
WLL:	220 kg	220 kg
Diameter:	125 mm	125 mm

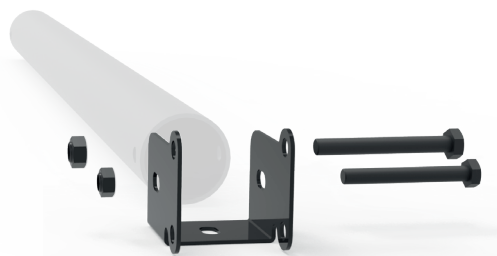


4 CHOOSE HANGING TUBES

Hanging tubes with forkset

Lengths available:	80 cm	160 cm	180 cm	210 cm
Article code:	WARTS0080	WARTS0160	WARTS0180	WARTS0210
Material:	black aluminium	black aluminium	black aluminium	powder coated steel
Diameter:	50 Ø mm	50 Ø mm	50 Ø mm	48 Ø mm

* 2 x Meatrack forkset 50 mm with bolts included



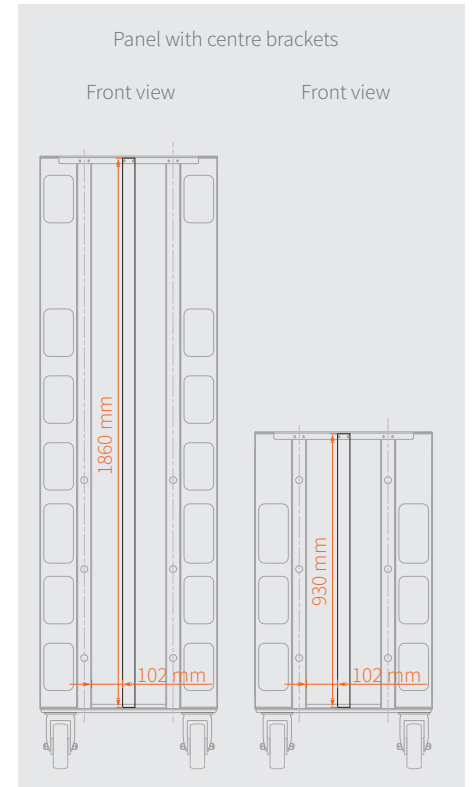
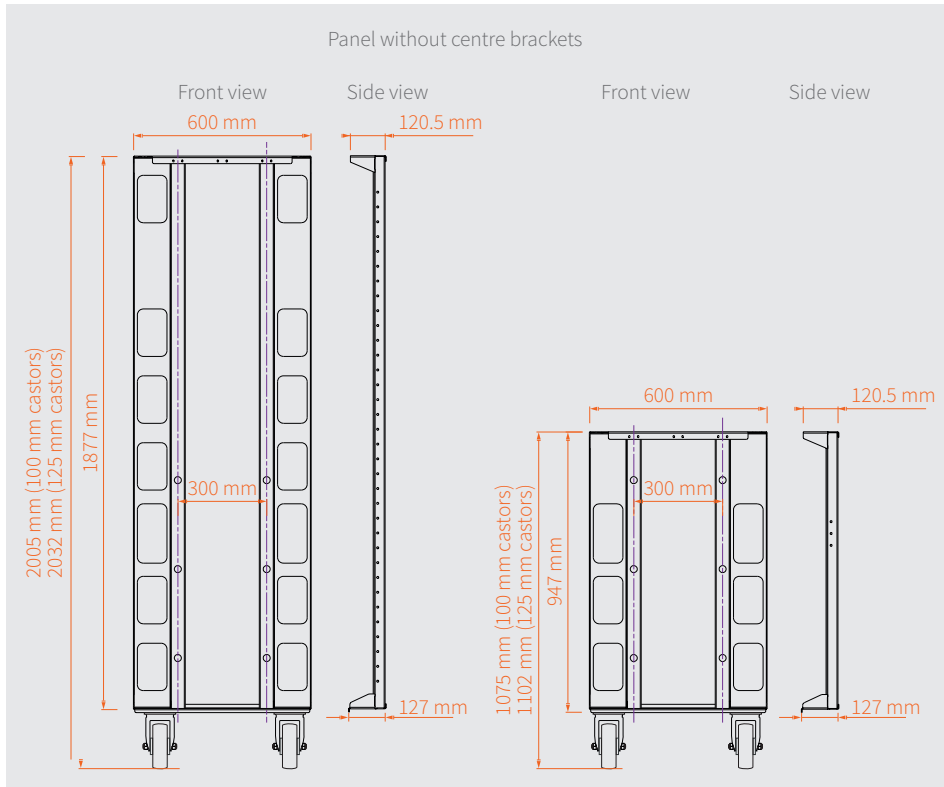
*boltset is included in all 4 sets



Centre bracket set

Heights available:	H110	H203
Article code:	WAM2P03	WAM2P05
Dimensions :	930 mm	1860 mm
Material:	powder coated steel	

* centre brackets can be purchased separately and mounted on fork-side panels without one
 ** centre bracket set includes screws





ADMIRAL
STAGING

SIDELIGHT TOWERS

The Admiral Sidelight towers can be equipped with moving heads, theatre luminaires and other lighting fixtures. The position of the ladder can be symmetrical or asymmetrical, depending on the type of fixtures you want to use.



KEY FEATURES

Multipurpose

The Sidelight towers can not only be used for mounting your fixtures, but also for transporting them.

Telescopic ladder

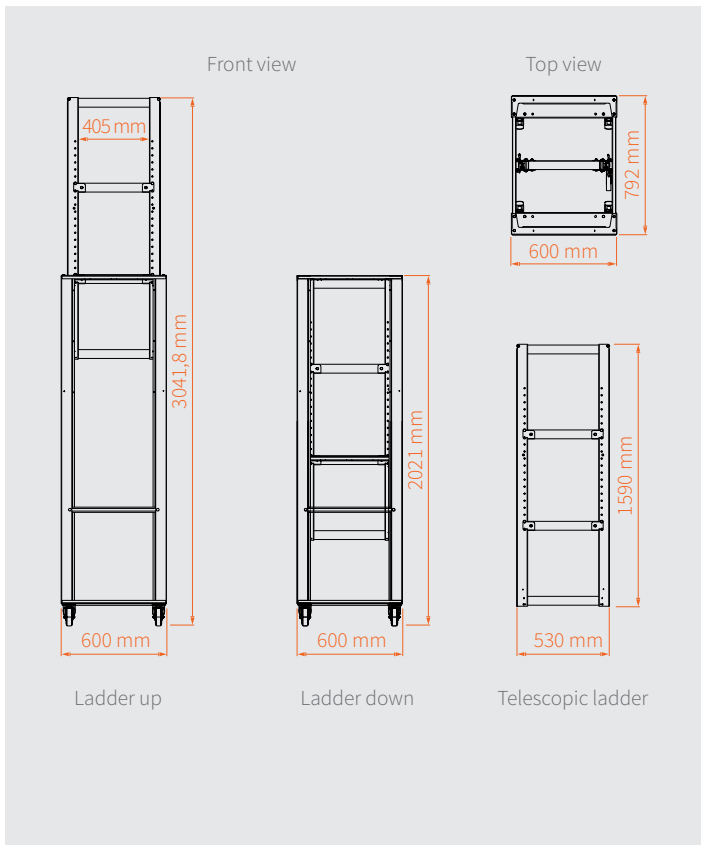
The towers are equipped with a telescopic ladder which allows you to lift your lights up to 120cm.

Can be used as shinlights

By mounting an extra tube in the frame of the Sidelight tower you can create a shinlight.

www.admiralstaging.com

DIMENSIONS



TECHNICAL DATA

Sidelight tower symmetrical

Article code:	WAM2J11
EAN:	8720094423203
Dimensions (ladder up):	792 x 600 x 3041.8 mm (L x W x H)
Dimensions (ladder down):	792 x 600 x 2021 mm (L x W x H)
Weight:	56 kg
Material:	side panels: powder coated steel
	hanging tubes: powder coated aluminium

Sidelight tower asymmetrical

Article code:	WAM2J10
EAN:	8720094423203
Dimensions (ladder up):	792 x 600 x 3041.8 mm (L x W x H)
Dimensions (ladder down):	792 x 600 x 2021 mm (L x W x H)
Weight:	56 kg
Material:	side panels: powder coated steel
	hanging tubes: powder coated aluminium

Load limit is 100 kg

The ladder of the Sidelight tower is pushed up and down manually, please take this into consideration when loading the tower. The frame and castors can take more weight than a person should lift. Therefore please don't load over 100 kg.

VARIATIONS

The position of the ladder in the Sidelight tower can either be symmetrical or asymmetrical. Choose the model suitable for you depending on the type of fixtures you want to use.

Symmetrical

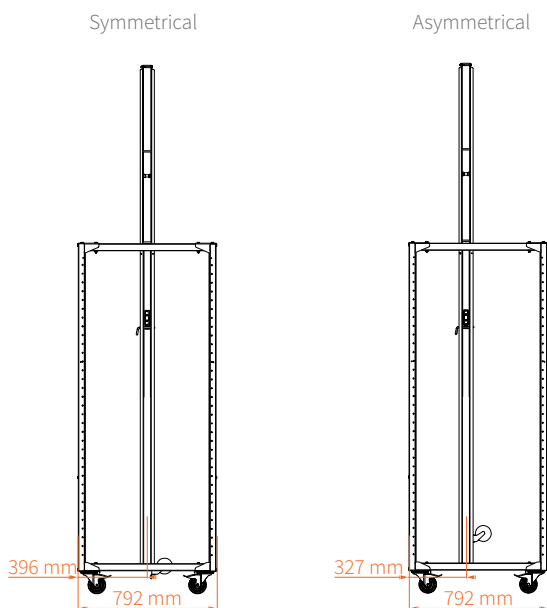
The symmetrical tower is suitable for smaller fixtures such as LED par spotlights, small moving heads, blinders or strobes.

Asymmetrical

The asymmetrical tower is meant for larger moving heads and profile spots. In this position, there is more space in front of the ladder to position and aim your fixtures in the desired direction.

Telescopic ladder

Push the telescopic ladder up manually before inserting the locking pin to secure it. The strap is not for hoisting but breaks the fall in case the ladder slides down.



ADMIRAL
STAGING

| www.admiralstaging.com | Josink Kolkweg 10 | 7545 PR Enschede | The Netherlands | Tel: +31 53 4 301 201 |



ADMIRAL
STAGING

STORAGE CART

Organize, store and transport your tools, supplies and other essentials with our Storage Cart. Using our modular system, you can build your ideal Storage cart in two heights, 110 cm or 203 cm. Plastic crates of six different sizes can be mixed and matched to customize the interior of the cart.



KEY FEATURES

Design your ideal cart

Build your Storage cart in two different heights and design its interior in a configuration that best suits your needs.

Flexibility

The storage configuration can be quickly readjusted based on the requirements of each job by changing the crates combination.

Sliding crates

Easy access to the equipment by smoothly sliding the crates in and out.

www.admiralstaging.com

TECHNICAL DATA



1 CHOOSE HEIGHT

Storage cart set with toplid

Heights available:	110 cm	203 cm
Article code:	WASCSH11L	WASCSH23L
EAN code:	8720094429588	8720094429595
Dimensions mm:	600 x 492 x 1096	600 x 492 x 2030
Weight:	22.4 kg	31.6 kg

Set includes:

2x Slim-line panels with handle

Heights available:	110 cm	203 cm
Article code:	WAM2P64	WAM2P65
EAN code:	8720094425245	8720094425252
Material:	powder coated steel	
Dimensions mm:	600 x 1100 x 127	600 x 2030 x 127
Weight:	8.8 kg	13.5 kg

Length profiles L50 set of 4

Article code:	WALPSL050
EAN code:	8720094429588
Material:	powder coated steel
Dimensions mm:	500 x 20 x 40
Weight:	3 kg

Storage cart top lid black

Article code:	WAM2SA64
EAN code:	8720094429991
Material:	physiochemical board
Dimensions mm:	600 x 492 x 10
Weight:	5.9 kg

* boltset included

**set is delivered in parts



2 CHOOSE CASTORS

Castors set of 4

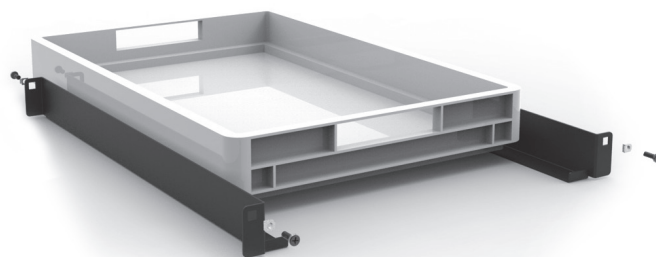
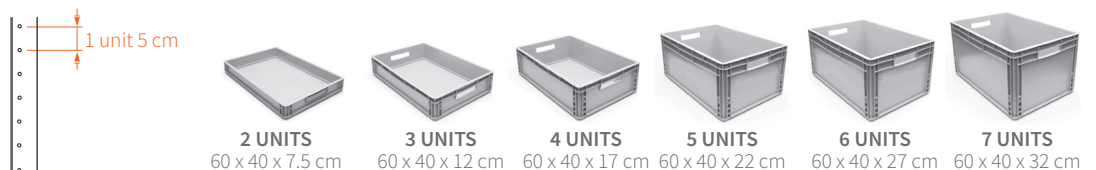
Sets available:	2 x Swivel with brake 2 x Swivel no brake	4 x Swivel with brake		
Article code:	WACS100B	WACS125B	WACS100A	WACS125A
WLL:	160 kg	220 kg	160 kg	220 kg
Diameter:	100 mm	125 mm	100 mm	125 mm



3 CHOOSE STORAGE CRATE SETS

Plastic crate with drawer profile set

Article code:	WACRS007	WACRS012	WACRS017	WACRS022	WACRS027	WACRS032
Material: crates:	plastic					
drawer:	powder coated steel					



Drawer profile included with plastic crate set



ADMIRAL
STAGING

| www.admiralstaging.com | Josink Kolkweg 10 | 7545 PR Enschede | The Netherlands | Tel: +31 53 4 301 201 |

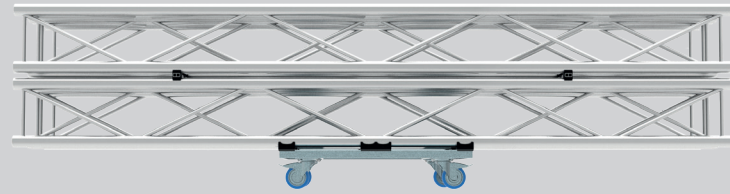


ADMIRAL
STAGING

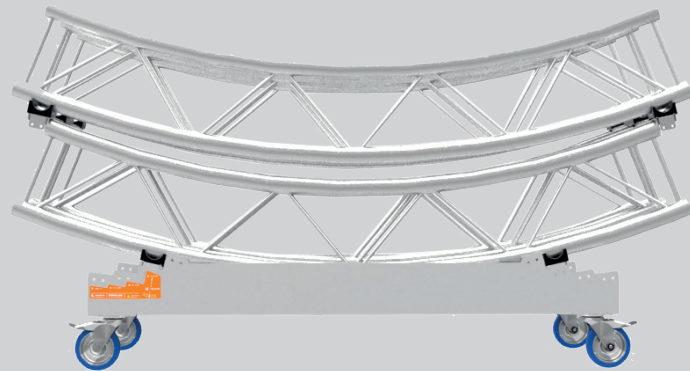
Transport truss
securely and efficiently

STRONG FAMILY

Ideal for both 30 and 40 truss, the Strong Boy is the perfect solution for transporting straight truss. Use it together with its Mini version to easily ride the loaded dolly up a stage ramp. Our Strong girl can transport circular trusses with a square cross section and an outer diameter from 2.5 m up to an infinite diameter.



Strong Boy®



Strong Girl



Strong Boy mini®

KEY FEATURES

Sturdy design

These strong, durable dollies are made out of 2 and 3 mm galvanized steel, made to withstand the test of time.

Optimal friction

The frame is equipped with rubber studs that ensure a suitable positioning of your truss and prevent it from slipping.

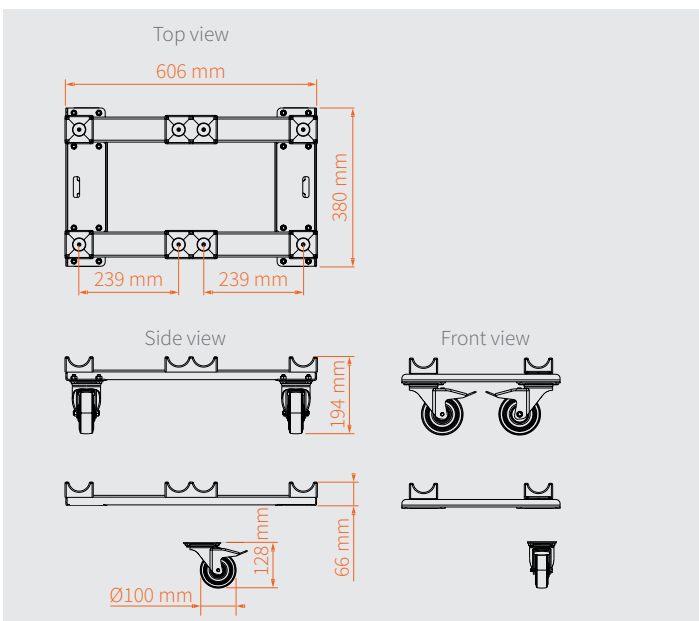
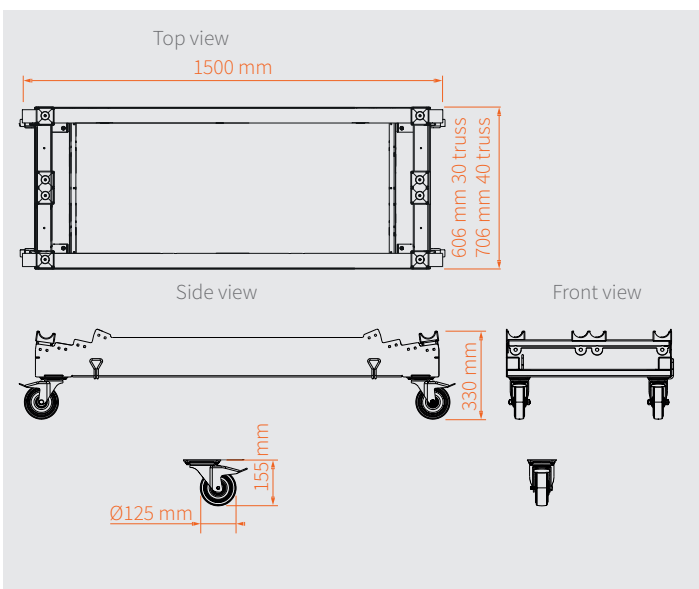
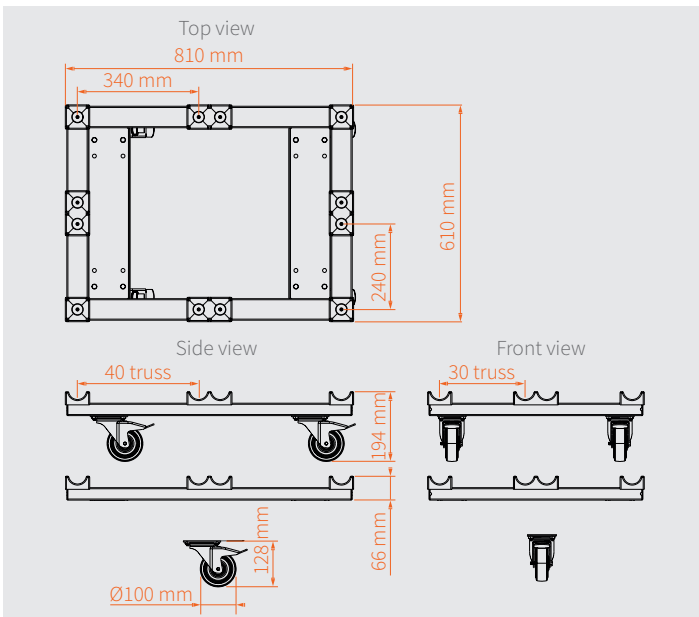
Easy to secure load

The frame of the dollies have cutouts that allow you to easily attach the hooks of your straps so your load can be secured.

© Design registered in the EU and UK

www.admiralstaging.com

DIMENSIONS



TECHNICAL DATA

Strong Boy®

Article code:	WASBC34WP
EAN:	8720094425528
WLL:	130 kg
Dimensions:	810 x 610 x 194 mm (L x W x H)
Weight:	13.6 kg

Set includes

1x Strong Boy® frame

Article code:	WASBC34
EAN:	8720094425511
Material:	galvanized steel
Dimensions:	810 x 610 x 66 mm (L x W x H)
Weight:	9.8 kg

4x Castor 100 mm with brake

Article code:	ZEWACW14
1x Boltset Strong Boy, for 100/125 mm castor	
Article code:	ZEM2SV34

Strong Girl 30 truss

Article code:	WASG230
EAN:	8720094425535
WLL:	200 kg
Material:	galvanized steel
Dimensions:	1500 x 606 x 330 mm (L x W x H)
Weight:	30.5 kg
Castors:	4 x ZEWACW24 - 125 mm with brake

Strong Girl 40 truss

Article code:	WASG240
EAN:	8720094425542
WLL:	200 kg
Material:	galvanized steel
Dimensions:	1500 x 706 x 330 mm (L x W x H)
Weight:	30.6 kg
Castors:	4 x ZEWACW24 - 125 mm with brake

Strong Boy mini®

Article code:	WASBM10C
EAN:	8720094427157
WLL:	130 kg
Dimensions:	606 x 380 x 194 mm (L x W x H)
Weight:	10.7 kg

Set includes

1x Strong Boy mini® frame

Article code:	WASBM10
EAN:	8720094425511
Material:	galvanized steel
Dimensions:	606 x 380 x 66 mm (L x W x H)
Weight:	7.48 kg

4x Castor 100 mm with brake

Article code:	ZEWACW14
1x Boltset Strong Boy mini, for 100/125 mm castor	
Article code:	ZEM2SV34

© Design registered in the EU and UK



ADMIRAL
STAGING

| www.admiralstaging.com | Josink Kolkweg 10 | 7545 PR Enschede | The Netherlands | Tel: +31 53 4 301 201 |