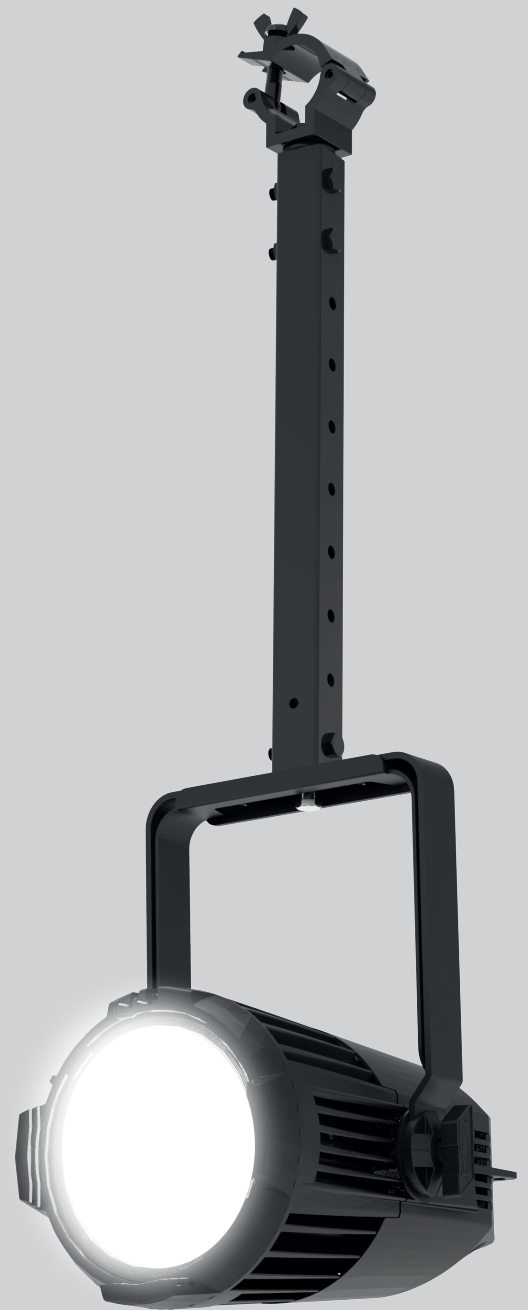




**ADMIRAL**  
STAGING

# FREEDOM SINGLE RIGGER

Start building your light show around the Admiral Single riggers and create a spectacular wall of light for your show. The Single rigger is a simple solution that creates a wonderful effect using length profiles from our Freedom system.



## KEY FEATURES FREEDOM SYSTEM

### **Versatile modular system**

The modular nature of the system allows you to use its basic components to set up a new construction for every occasion.

### **Unique setup**

The different hanging options and numerous length and width combinations allow you to create your one of a kind light show construction.

### **Extendable**

All the Freedom System setups can be further extended either vertically or horizontally.

[www.admiralstaging.com](http://www.admiralstaging.com)



## TECHNICAL DATA

### 1 CHOOSE LENGTH PROFILE

#### Freedom length profile set

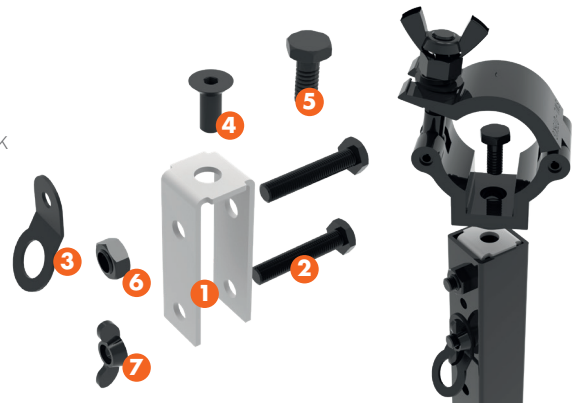
Lenghts available	50 cm	100 cm	150 cm	200 cm
Article code:	RIPFSSR050	RIPFSSR100	RIPFSSR150	RIPFSSR200
EAN code:	8720094429038	8720094429045	8720094429052	8720094429069
<b>Set includes</b>	<b>1 profile 50 cm</b>	<b>1 profile 100 cm</b>	<b>1 profile 150 cm</b>	<b>1 profile 200 cm</b>
Article code:	RIPFZP30	RIPFZP35	RIPFZP40	RIPFZP45
WLL:	200 kg			
Material:	aluminium			
Dimensions mm:	500 x 40 x 40	1000 x 40 x 40	1500 x 40 x 40	2000 x 40 x 40
Weight:	0.6 kg	1.25 kg	1.85 kg	2.5 kg
	<b>2x nutplate M10</b>			
Article code:	RIPFZM10			
Material:	3 mm stainless steel			
Weight:	0.36 kg			

\* clamps, couplers and safety cables are not included

\*\* the user must use certified clamps or couplers with a WLL of at least 200 kg, with minimum safety factor of 8:1 as required for overhead lifting.

#### Freedom nutplate set M10 content

- 1 1 x nutplate top M10
- 2 2 x M10x 55 six sided bolt 8.8 black
- 3 1 x Safety eye WLL 230kg M10 internal black
- 4 1 x M10x 25 Hexagon socket bolt for halfcoupler
- 5 1 x M10x 20 six sided bolt black
- 6 2 x M10 nut nyloc black
- 7 2 x M10 wing nut D316 black



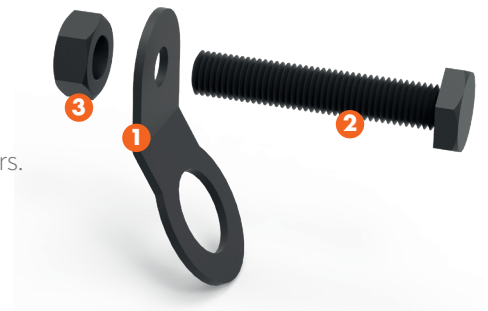
### WARNING

Always use the Freedom safety set (provided) to secure your load and secure the connection between the FMRS and the supporting structure with a secondary safety device e.g. a safety cable

#### Freedom safety set

- 1 1 x safety plate
- 2 1 x M10x 55 six sided bolt 8.8 black
- 3 1 x M10 nut nyloc black

This item is provided in the Nut plate set and all hangers. Always use it for your secondary safety device.



## EXTEND THE SINGLE RIGGER EVEN MORE

### Freedom coupler set

Article code:	RIPFZK10
WLL:	200 kg
Material:	2 mm stainless steel
Dimensions mm:	180 x 36 x 36
Weight:	0.68 kg
Provided:	1 x couple plate
	4 x bolt M10 x 55
	4 x wing nut M10
	4 x self lock nuts M10



### Freedom length 1x profile

Lengths available	50 cm	100 cm	150 cm	200 cm
Article code:	RIPFZP30	RIPFZP35	RIPFZP40	RIPFZP45



For more information,  
download the Freedom  
System manual



**ADMIRAL**  
STAGING

| [www.admiralstaging.com](http://www.admiralstaging.com) | Josink Kolkweg 10 | 7545 PR Enschede | The Netherlands | Tel: +31 53 4 301 201 |



**ADMIRAL**  
STAGING

# FREEDOM SINGLE RIGGER

Start building your light show around the Admiral Single riggers and create a spectacular wall of light for your show. The Single rigger is a simple solution that creates a wonderful effect using length profiles from our Freedom system.



## KEY FEATURES FREEDOM SYSTEM

### **Versatile modular system**

The modular nature of the system allows you to use its basic components to set up a new construction for every occasion.

### **Unique setup**

The different hanging options and numerous length and width combinations allow you to create your one of a kind light show construction.

### **Extendable**

All the Freedom System setups can be further extended either vertically or horizontally.

[www.admiralstaging.com](http://www.admiralstaging.com)



## TECHNICAL DATA

### 1 CHOOSE LENGTH PROFILE

#### Freedom length profile set

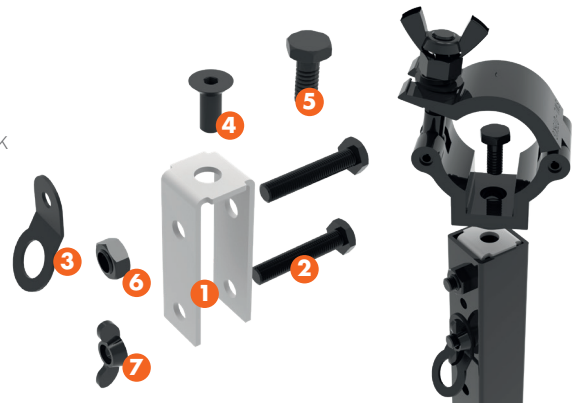
Lenghts available	50 cm	100 cm	150 cm	200 cm
Article code:	RIPFSSR050	RIPFSSR100	RIPFSSR150	RIPFSSR200
EAN code:	8720094429038	8720094429045	8720094429052	8720094429069
<b>Set includes</b>	<b>1 profile 50 cm</b>	<b>1 profile 100 cm</b>	<b>1 profile 150 cm</b>	<b>1 profile 200 cm</b>
Article code:	RIPFZP30	RIPFZP35	RIPFZP40	RIPFZP45
WLL:	200 kg			
Material:	aluminium			
Dimensions mm:	500 x 40 x 40	1000 x 40 x 40	1500 x 40 x 40	2000 x 40 x 40
Weight:	0.6 kg	1.25 kg	1.85 kg	2.5 kg
	<b>2x nutplate M10</b>			
Article code:	RIPFZM10			
Material:	3 mm stainless steel			
Weight:	0.36 kg			

\* clamps, couplers and safety cables are not included

\*\* the user must use certified clamps or couplers with a WLL of at least 200 kg, with minimum safety factor of 8:1 as required for overhead lifting.

#### Freedom nutplate set M10 content

- 1 1 x nutplate top M10
- 2 2 x M10x 55 six sided bolt 8.8 black
- 3 1 x Safety eye WLL 230kg M10 internal black
- 4 1 x M10x 25 Hexagon socket bolt for halfcoupler
- 5 1 x M10x 20 six sided bolt black
- 6 2 x M10 nut nyloc black
- 7 2 x M10 wing nut D316 black



### WARNING

Always use the Freedom safety set (provided) to secure your load and secure the connection between the FMRS and the supporting structure with a secondary safety device e.g. a safety cable

#### Freedom safety set

- 1 1 x safety plate
- 2 1 x M10x 55 six sided bolt 8.8 black
- 3 1 x M10 nut nyloc black

This item is provided in the Nut plate set and all hangers. Always use it for your secondary safety device.



## EXTEND THE SINGLE RIGGER EVEN MORE

### Freedom coupler set

Article code:	RIPFZK10
WLL:	200 kg
Material:	2 mm stainless steel
Dimensions mm:	180 x 36 x 36
Weight:	0.68 kg
Provided:	1 x couple plate
	4 x bolt M10 x 55
	4 x wing nut M10
	4 x self lock nuts M10



### Freedom length 1x profile

Lengths available	50 cm	100 cm	150 cm	200 cm
Article code:	RIPFZP30	RIPFZP35	RIPFZP40	RIPFZP45



For more information,  
download the Freedom  
System manual



**ADMIRAL**  
STAGING

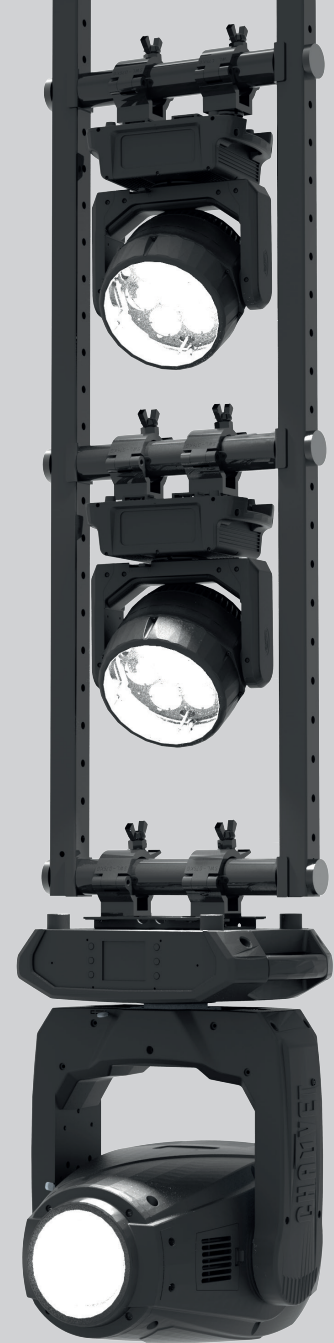
| [www.admiralstaging.com](http://www.admiralstaging.com) | Josink Kolkweg 10 | 7545 PR Enschede | The Netherlands | Tel: +31 53 4 301 201 |



**ADMIRAL**  
STAGING

# FREEDOM DOWN RIGGER

Combine length profiles with hanging tubes and set up one or even multiple down riggers to create an impressive light structure. Adding hangers between our length profiles provides you with the possibility to hang multiple fixtures in a row.



## KEY FEATURES FREEDOM SYSTEM

### **Versatile modular system**

The modular nature of the system allows you to use its basic components to set up a new construction for every occasion.

### **Unique setup**

The different hanging options and numerous length and width combinations allow you to create your one of a kind light show construction.

### **Extendable**

All the Freedom System setups can be further extended either vertically or horizontally.

[www.admiralstaging.com](http://www.admiralstaging.com)



## TECHNICAL DATA

### 1 CHOOSE LENGTH PROFILES

#### Freedom length profiles set

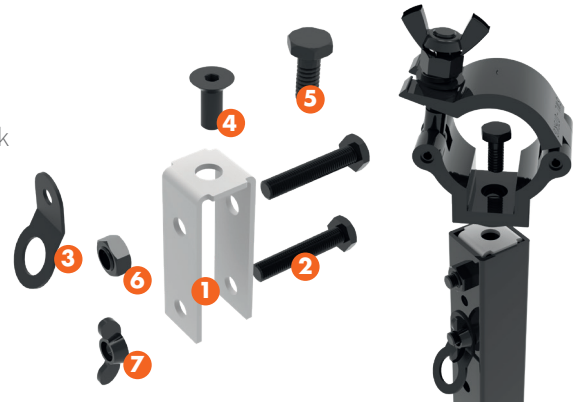
Lengths available	50 cm	100 cm	150 cm	200 cm
Article code:	RIPFSSR2050	RIPFSSR2100	RIPFSSR2150	RIPFSSR2200
EAN code:	8720094429076	8720094429083	8720094429090	8720094429106
<b>Set includes</b>	<b>2x profile 50 cm</b>	<b>2x profile 100 cm</b>	<b>2x profile 150 cm</b>	<b>2x profile 200 cm</b>
Article code:	RIPFZP30	RIPFZP35	RIPFZP40	RIPFZP45
WLL:	200 kg			
Material:	aluminium			
Dimensions mm:	500 x 40 x 40	1000 x 40 x 40	1500 x 40 x 40	2000 x 40 x 40
Weight:	0.6 kg	1.25 kg	1.85 kg	2.5 kg
	<b>2x nut plate M10</b>	<b>2x nut plate M10</b>	<b>2x nut plate M10</b>	<b>2x nut plate M10</b>
Article code:	RIPFZM10	RIPFZM10	RIPFZM10	RIPFZM10
Material:	3 mm stainless steel			

\* couplers or clamps are not included

\*\* the user must use certified clamps or couplers with a WLL of at least 200 kg, with minimum safety factor of 8:1 as required for overhead lifting.

#### Freedom nutplate set M10 content

- 1 x nutplate top M10
- 2 x M10x 55 six sided bolt 8.8 black
- 1 x Safety eye WLL 230kg M10 internal black
- 1 x M10x 25 Hexagon socket bolt for halfcoupler
- 1 x M10x 20 six sided bolt black
- 2 x M10 nut nyloc black
- 2 x M10 wing nut D316 black



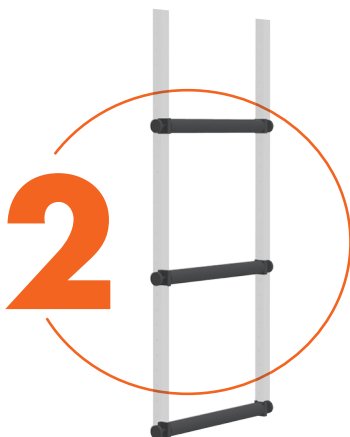
### WARNING

Always use the Freedom safety set (provided) to secure your load and secure the connection between the FMRS and the supporting structure with a secondary safety device e.g. a safety cable

#### Freedom safety set

- 1 x safety plate
- 1 x M10x 55 six sided bolt 8.8 black
- 1 x M10 nut nyloc black

This item is provided in the Nut plate set and all hangers. Always use it for your secondary safety device.



### 2 CHOOSE THE HANGERS

#### Freedom hanger

Lengths available	30 cm	40 cm	50 cm	60 cm
Article code:	RIPFZT30	RIPFZT37	RIPFZT50	RIPFZT57
EAN code:	8720094422688	8720094422695	8720094422701	8720094422718
WLL:	75 kg			
Material:	aluminium			
Diameter mm:	ø 48			
Weight:	0.56 kg	0.67 kg	0.80 kg	0.92 kg
Provided:	Freedom safety set			

## EXTEND THE DOWN RIGGER EVEN MORE

### Freedom coupler set

Article code:	RIPFZK10
WLL:	200 kg
Material:	2 mm stainless steel
Dimensions mm:	180 x 36 x 36
Weight:	0.68 kg
Provided:	1 x couple plate
	4 x bolt M10 x 55
	4 x wing nut M10
	4 x self lock nuts M10



### Freedom length 2x profiles

Lenghts available	50 cm	100 cm	150 cm	200 cm
Article code:	RIPFSSR3050	RIPFSSR3100	RIPFSSR3150	RIPFSSR3200
<b>Set includes</b>	<i>2x profile 50 cm</i>	<i>2x profile 100 cm</i>	<i>2x profile 150 cm</i>	<i>2x profile 200 cm</i>
Article code:	RIPFZP30	RIPFZP35	RIPFZP40	RIPFZP45



For more information,  
download the Freedom  
System manual



**ADMIRAL**  
STAGING

| [www.admiralstaging.com](http://www.admiralstaging.com) | Josink Kolkweg 10 | 7545 PR Enschede | The Netherlands | Tel: +31 53 4 301 201 |



**ADMIRAL**  
STAGING

# FREEDOM DROP ARM

You might have seen them before, but never this clever! With our Drop Arms, you can easily suspend your lighting equipment from a truss or fixed tube. The Drop Arms are extendable to any length and they can also be combined with hanging tubes. Just imagine all the lighting effects you can create!



## KEY FEATURES FREEDOM SYSTEM

### Versatile modular system

The modular nature of the system allows you to use its basic components to set up a new construction for every occasion.

### Unique setup

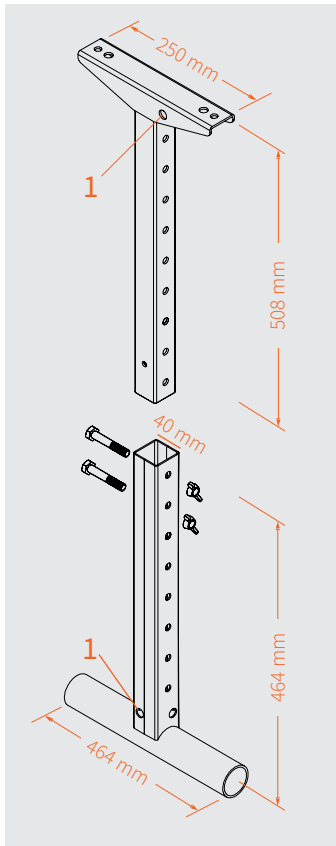
The different hanging options and numerous length and width combinations allow you to create your one of a kind light show construction.

### Extendable

All the Freedom System setups can be further extended either vertically or horizontally.

[www.admiralstaging.com](http://www.admiralstaging.com)

## DIMENSIONS



## TECHNICAL DATA

### 1 CHOOSE HEIGHT

#### Freedom Drop Arm starter set

Article code: RIPFKY1015  
 EAN code: 8720094422558  
 Variable height: from 57.2 up to 87.2 cm

**Set includes** *Freedom Drop arm top side black*

Article code: RIPFT08T  
 WLL: 200 kg  
 Material: stainless steel  
 Weight: 1.01 kg

*Freedom Drop arm bottom side black*

Article code: RIPFT08B  
 WLL: 200 kg  
 Diameter tube:  $\varnothing$  50 mm  
 Material: stainless steel  
 Weight: 1.13 kg

### WARNING

Always use the pre-drilled holes (1) to secure your load and secure the connection between the FMRS and the supporting structure with a secondary safety device e.g. a safety cable.

## EXTEND THE DROP ARM EVEN MORE

#### Freedom coupler set

Article code: RIPFZK10  
 WLL: 200 kg  
 Material: 2 mm stainless steel  
 Dimensions mm: 180 x 36 x 36  
 Weight: 0.68 kg  
 Provided: 1 x couple plate  
 4 x bolt M10 x 55  
 4 x wing nut M10  
 4 x self lock nuts M10



#### Freedom length 1x profile

Lengths available	50 cm	100 cm	150 cm	200 cm
Article code:	RIPFZP30	RIPFZP35	RIPFZP40	RIPFZP45
WLL:	200 kg			
Material:	aluminium			
Dimensions mm:	500 x 40 x 40	1000 x 40 x 40	1500 x 40 x 40	2000 x 40 x 40
Weight:	0.6 kg	1.25 kg	1.85 kg	2.5 kg

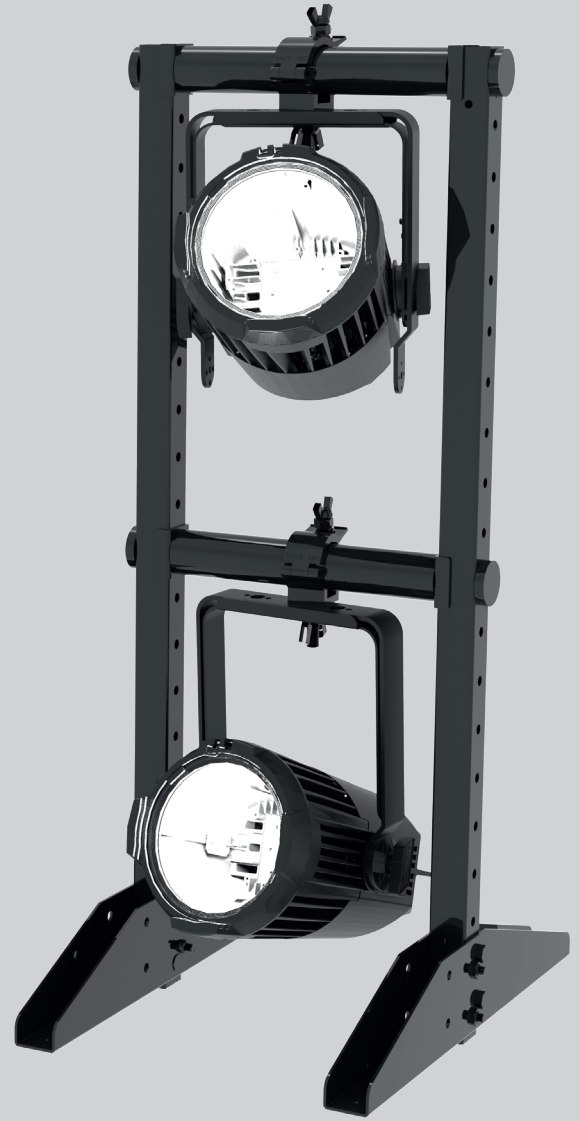




**ADMIRAL**  
STAGING

# FREEDOM FLOOR RACK

Have you already gotten your hands on our down rigger system? Then you are one step away from using it as a lighting tower. You simply turn a down rigger upside down, slide it into our aluminium base and your floor rack is born. You can use it as a sidelight tower, moving head tower or floor stand.



## KEY FEATURES FREEDOM SYSTEM

### **Versatile modular system**

The modular nature of the system allows you to use its basic components to set up a new construction for every occasion.

### **Unique setup**

The different hanging options and numerous length and width combinations allow you to create your one of a kind light show construction.

### **Extendable**

All the Freedom System setups can be further extended either vertically or horizontally.

[www.admiralstaging.com](http://www.admiralstaging.com)

## TECHNICAL DATA



### 1 CHOOSE LENGTH PROFILES

#### Freedom set, 2x profile

Lengths available	50 cm	100 cm	150 cm	200 cm
Article code:	RIPFSSR3050	RIPFSSR3100	RIPFSSR3150	RIPFSSR3200
EAN code:	8720094429113	8720094429120	8720094429120	8720094429144
<b>Set includes</b>	<b>2x profile 50 cm</b>	<b>2x profile 100 cm</b>	<b>2x profile 150 cm</b>	<b>2x profile 200 cm</b>
Article code:	RIPFZP30	RIPFZP35	RIPFZP40	RIPFZP45
WLL:	200 kg	200 kg	200 kg	200 kg
Material:	aluminium	aluminium	aluminium	aluminium
Dimensions in mm:	500 x 40 x 40	1000 x 40 x 40	1500 x 40 x 40	2000 x 40 x 40
Weight:	0.6 kg	1.25 kg	1.85 kg	2.5 kg



### 2 ADD SUPPORT BASE

#### Freedom support base set of 2

Article code:	RIPFZV05
EAN code:	8720094422725
WLL:	200 kg
Material:	stainless steel
Diameter mm:	550 x 48 x 110
Weight:	2.58 kg
Provided:	2 x bolt M10 x 55 2 x wing nut M10

### ⚠ CAUTION

Choose how you want to position (symmetrically or asymmetrically) the Freedom profile in the support base. For front-heavy fixtures, it is important that the length profiles are positioned asymmetrically so that the point of gravity of the applied load is in the centre of the Freedom support base.



### 3 CHOOSE THE HANGERS

#### Freedom hanger

Lengths available	30 cm	40 cm	50 cm	60 cm
Article code:	RIPFZT30	RIPFZT37	RIPFZT50	RIPFZT57
EAN code:	8720094422688	8720094422695	8720094422701	8720094422718
WLL:	75 kg			
Material:	aluminium			
Diameter mm:	ø 48			
Weight:	0.56 kg	0.67 kg	0.80 kg	0.92 kg
Provided:	Freedom safety set			

### ⚠ CAUTION

Always use a minimum of two hangers in a Floor rack.

#### Freedom safety set

- 1 1 x safety plate
- 2 1 x M10x 55 six sided bolt 8.8 black
- 3 1 x M10 nut nyloc black

This item is provided in the Nut plate set and all hangers. Always use it for your secondary safety device.



## EXTEND THE FLOOR RACK EVEN MORE

### Freedom coupler set

Article code:	RIPFZK10
WLL:	200 kg
Material:	2 mm stainless steel
Dimensions mm:	180 x 36 x 36
Weight:	0.68 kg
Provided:	1 x couple plate
	4 x bolt M10 x 55
	4 x wing nut M10
	4 x self lock nuts M10



### Freedom length 1x profile

Lengths available	50 cm	100 cm	150 cm	200 cm
Article code:	RIPFZP30	RIPFZP35	RIPFZP40	RIPFZP45



For more information,  
download the Freedom  
System manual



**ADMIRAL**  
STAGING

| [www.admiralstaging.com](http://www.admiralstaging.com) | Josink Kolkweg 10 | 7545 PR Enschede | The Netherlands | Tel: +31 53 4 301 201 |